

## VB-200 TECHNICAL SPECIFICATIONS

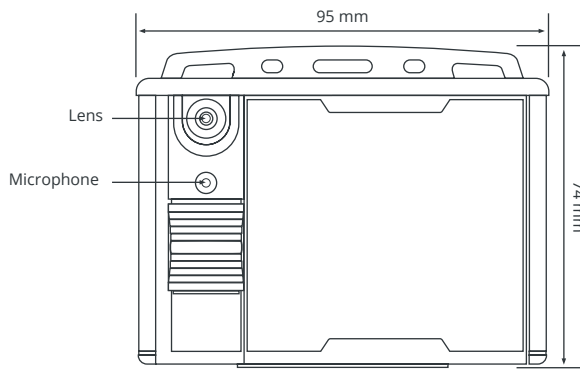
The VB-200 VideoBadge is a professional Body Worn Camera system with pronounced on/off switch and 130 degree extra wide recording lens.

Currently used across a number of industries including police and prison services, the VB-200 is designed to be rapidly deployed and to be used to its full potential on a daily basis. This device requires no training to operate.

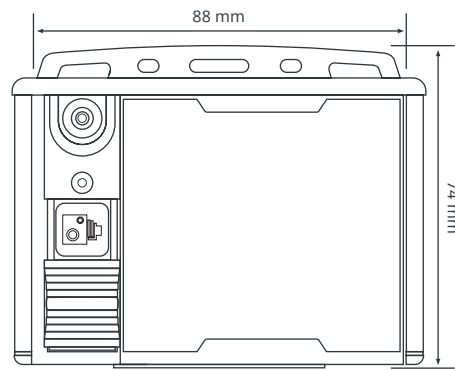


CAMERA FEATURE	DESCRIPTION / SPECIFICATION
<b>Typical Usage</b>	Police, Paramedics, door guarding, environmental wardens. Where the large field of view and pre-record is important.
<b>Pre-record Facility</b>	8 hours of continuous pre-recording, with a configurable pre-record period.
<b>Warranty</b>	1 year return-to-manufacturer warranty including email and telephone support. Extended warranty available.
<b>Dimensions</b>	95mm x 62mm x 16mm
<b>Weight</b>	127g without any mounting option fitted and 137g with close-fit Klickfast™ mounting.
<b>User Access or Sealed Unit</b>	Sealed unit with no user access to storage media or battery.
<b>Storage Media</b>	Internal solid state, protected recordings.
<b>Recording Capacity</b>	8 hours (either continuous or as needed)
<b>Recording Storage Capacity</b>	16GB
<b>File size for hour of recording</b>	1GB at 640 x 368 standard resolution, 2GB at 1280 x 720 HD resolution.
<b>Battery capacity in standby (instant recording mode)</b>	Up to 48 hours - This capacity enables years of adequate battery life for normal operational work shifts, meaning low total cost of ownership over time.
<b>Battery type</b>	Lithium-ion (no battery memory) does not require discharge before charging.
<b>Battery overcharge protection</b>	VideoBadge has overcharge protection so cannot be overcharged and can be left in docking station.

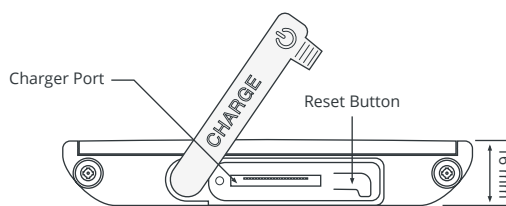
ED-002-002-02



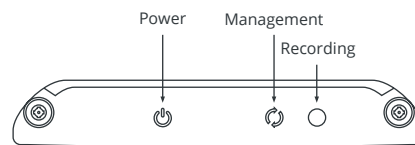
View on Front Face (Device Off)



View on Front Face (Device On)



View on Bottom Face



View on Top Face

CAMERA FEATURE	DESCRIPTION / SPECIFICATION
<b>Battery indication</b>	Power light show power state. <b>Green</b> = battery charged <b>Amber</b> = one hour recording time left <b>Red</b> = 15 minutes recording time left
<b>Battery life</b>	3 years recommended refresh time. Depending on amount of standby time required.
<b>Battery refresh process</b>	Edesix service centre.
<b>Switching</b>	<ul style="list-style-type: none"> <li>➔ One click start / stop</li> <li>➔ Front thumb-switch on/off: push down on, push up off</li> <li>➔ (Can use when wearing gloves) Full off / reset button at unit base</li> </ul>
<b>Recording status user notification</b>	Visual recording light and audible bleep to notify user of recording on / off
<b>Front display message</b>	Options ➔ Display card with message / logo
<b>Download rate</b>	5mins per hour of recording (parallel downloading with docking station)
<b>Frame rates</b>	30/25/15/12.5 fps. By default VideoBadge records at 25 frames per second.

CAMERA FEATURE	DESCRIPTION / SPECIFICATION
<b>Resolution</b>	<ul style="list-style-type: none"> <li>➔ Up to 1280 x 720 (HD)</li> <li>➔ 640 x 368 standard setting - evidential quality</li> <li>➔ HD increases file size</li> </ul>
<b>Recording rate</b>	25 frames per second, real time recording (each frame is available to view as a still image for evidential accuracy, by authorised user)
<b>Lens capture angle</b>	Wide angle, 130 degree horizontal field of view.
<b>Video downloading protected by encryption</b>	AES 256, encrypted keys specific to base station.
<b>Recordings view, copy and deletion ability</b>	The VideoBadge wearer cannot access, view or delete any recordings. Only authorised users have access to recordings, after download at secure site.
<b>Day / night operation</b>	VideoBadge supports low light conditions to 2 lux, meaning street lighting and internal lighting is adequate for operation.
<b>Audio capture</b>	Standard audio configuration is near field capture with background noise reduction.
<b>Uniform and clothing fixings</b>	Full range of uniform and civilian fixings (see price list).
<b>Vehicle mounting option</b>	Dashboard or screen mount holder option.
<b>Network data security on USB storage media</b>	VideoBadge does not appear as a USB storage device and cannot receive files whilst connected to a network.
<b>Surveillance and data protection compliance</b>	<p>All compliance controls built in as standard.</p> <p><b>RIPA compliance</b> (The Regulation of Investigatory Powers Act 2000) VideoBadge does not require RIPA authority to use, as is overt recording.</p> <p><b>Surveillance compliance</b> VideoBadge front display, access restrictions and system controls for data management, provide compliance to Home Office - Surveillance Code of Practice.</p> <p><b>Data protection</b> VideoBadge encrypted recordings, access restrictions, system controls and audit trail for Information Commissioner Office compliance.</p>
<b>Anti-interference shielding</b>	Built in radio anti-interference shield tested against Police TETRA and general two-way radio coms.

CAMERA FEATURE	DESCRIPTION / SPECIFICATION
<b>Battery recharging times</b>	Docking Station within 3 hours / USB lead 6 hours
<b>Download / de-encryption times</b>	5 minutes per hour of recording.
<b>Connections</b>	<p>USB to local computer. VideoBadge connection choice:</p> <ul style="list-style-type: none"> <li>➔ Single cable USB charge (trickle charge)</li> <li>➔ Wire free connection with 7-way docking station, mains and single USB connection (rapid charge).</li> <li>➔ System is infinitely modular scalable.</li> </ul>
<b>Weather proofing</b>	IP54 weatherproof rating.
<b>Warranty</b>	1 year from purchase, extendable to 3 years. Special police specific warranty available.
<b>Environmental temperature operational rating</b>	-5°C to +40°C, non-condensing
<b>Training</b>	<p>Training free system for VideoBadge operators (one click on/off)</p> <p>Full instruction manuals and telephone support for system managers</p> <p>Optional on-site set-up and training when IT also supplied by Edesix.</p>
<b>Recording configuration options</b>	<p><b>Manual</b> Recording events as needed or continuously throughout shift, followed by download and re-issue.</p> <p><b>Loop recording</b> Recording on a loop with 16 hour capacity (typically used for lone worker protection / incident capture) download in the event of incident and home charge.</p>
<b>Running audit track log</b>	Usage, operations and recording details all logged and indexed.
<b>Digital evidence integrity chain</b>	Full audit trail with generated check-sums and watermarked evidential outputs (routinely used in criminal and civil court actions).
<b>Frame count</b>	Each frame is numbered and cannot be edited or amended without violating checksum.
<b>Date &amp; time watermark</b>	Each frame has date and time watermark.
<b>Time synchronisation</b>	Time source is local PC, with options of network or web synchronisation.

CAMERA FEATURE	DESCRIPTION / SPECIFICATION
<b>Individual frame burning information</b>	<ul style="list-style-type: none"><li>→ Device ID</li><li>→ Date and Time (UTC)</li><li>→ Universal time clock</li><li>→ Frame count number</li></ul>
<b>WEEE compliant</b>	Edesix observes all relevant Waste Electrical and Electronic (WEEE) regulations and honours the required arrangements for the safe disposal and recycling of its product.