

VIDEOTAG VT-100 TECHNICAL SPECIFICATIONS

The VideoTag VT-100 is an incident recording device from Edesix, specifically designed to meet the needs of retailers and other public facing businesses.

The VT-100 offers a cost-effective, secure and practical approach to body-worn security for incident recording and workflow management.

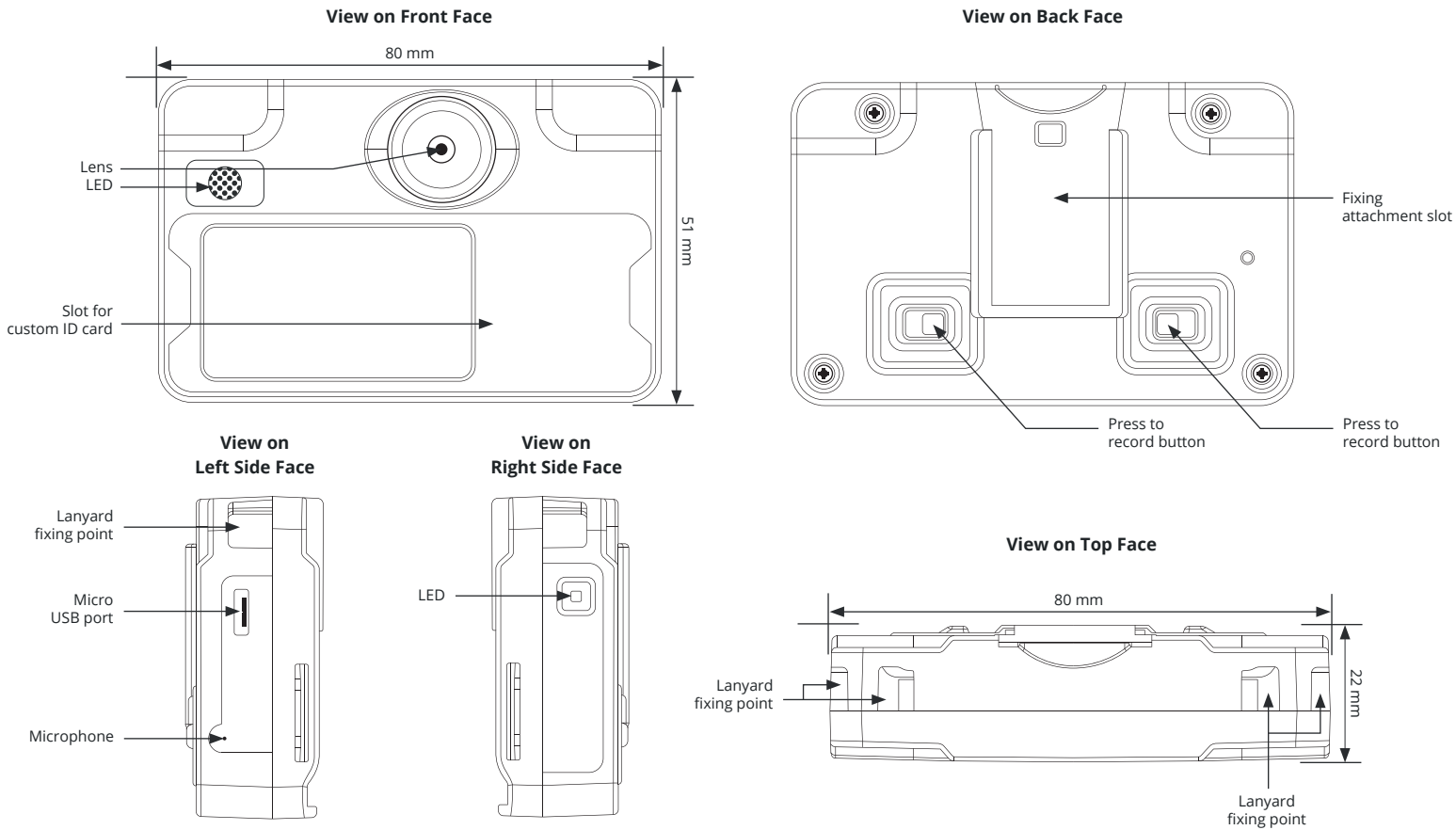


The VT-100 is capable of HD audio and video recording at 30fps and allows for immediate offload of footage captured via docking. The VT-100 is designed to be unobtrusive and easy to use, and is a low maintenance solution, requiring minimal attention with infrequent charging required.

The VT-100's form factor is designed to be similar to name badges used by retail staff, with a card insert below the camera lens that can be tailored to the individual user or organisation. The VT-100 can also be linked to existing CCTV installations, meaning all of your surveillance equipment can be analysed under one integrated system, creating one complete picture.

CAMERA FEATURE	DESCRIPTION / SPECIFICATION
Typical Usage	Enterprise managed incident recorder, for personal and site security
Warranty	1 year return-to-manufacturer warranty. For support relating to VideoManager, Software Assurance is required.
Dimensions	80 x 51 x 22mm
Weight	72g
Battery life in recording mode	Up to 4 hours of recording, or 2 hours of live streaming & recording
User Access or Sealed Unit	Sealed unit with no user access to storage media or battery
Battery capacity in standby (instant recording mode)	6 months
Resolution	1280 x 720 HD, H.264 video encoding
Battery overcharge protection	VT-100 has overcharge protection so cannot be overcharged and can be left in docking station

ED-002-023-12



CAMERA FEATURE	DESCRIPTION / SPECIFICATION
Lens capture angle	Wide angle, 130 degree horizontal field of view
Battery recharging times	Less than 5 hours
Battery type	Lithium-ion
Frame rates	30 fps
Switches	Two buttons on back, either of which can be used to start and stop recording
Storage Media	Internal solid state, protected recordings
Recordings view, copy and deletion ability	The VideoTag wearer cannot access, view or delete any recordings. Only authorised users have access to recordings, after download into management software
Recording status user notification	Recording light on back and front of unit to indicate recording on / off
Front display message	Display card with message/logo

CAMERA FEATURE	DESCRIPTION / SPECIFICATION
Audio capture	Yes
Connections	USB/Docking station
Weather proofing	IP54
Management Software	Compatible with VideoManager 10 onwards. VideoManager can be purchased as a Licence or Cloud Service.
WiFi Streaming	ONStream compatible